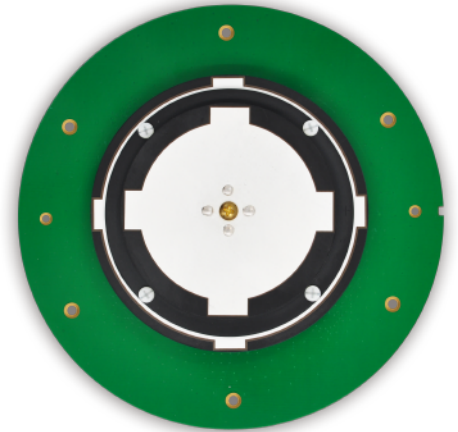


OEM GNSS Antenna HX-CSX078A

HX-CSX078A Embedded Full Frequency GNSS Antenna with L-Band

The Harxon HX-CSX078A is a precision tuned, stacked patch GNSS antenna that provides reliable and consistent positioning services across the full bandwidth of the antenna. Its superior positioning accuracy and powerful system compatibility makes it ideal to be integrated into various surveying and RTK applications.



CONSISTENT PERFORMANCE ACROSS FULL FREQUENCY BANDS

The Harxon HX-CSX078A offers full support for superior satellite signals tracking, including GPS, GLONASS, Galileo and BeiDou, as well as L-Band correction services. It offers a very stable phase center variation with advanced multipoint feeding technology, exceptional low elevation satellite tracking with symmetric radiation patterns, high gain with ultralow signal loss, as well as outstanding wide-angle circular polarization (WACP) ensures excellent positioning accuracy.

GREAT MULTIPATH REJECTION AND POWERFUL ANTI-INTERFERENCE CAPABILITY

The HX-CSX078A antenna equips an anti-multipath interceptor and provides superior multi-path signal rejection. Besides, the pre-filtered LNA of the antenna restrains unwanted electromagnetic interferences and significantly avoids signal loss while around challenging environments as power grid, communication base station and broadcasting stations.

EASY INTEGRATION DESIGN FOR VARIOUS APPLICATIONS

The unique structure design of HX-CSX078A simplifies the RTK integration, and minimizes the overall device dimension, optimizing system integrators positioning efficiency and performance in various surveying and RTK applications.

KEY FEATURES

- Comprehensive GNSS support: GPS, GLONASS, Galileo, BeiDou and L-Band correction services
- Centimeter phase center repeatability
- Improved signal filtering and excellent multipath rejection
- Superior electromagnetic compatibility for easy integration

OEM GNSS Antenna HX-CSX078A

PERFORMANCE

Signal Received

GPS	L1/L2/L5
GLONASS	L1/L2/L3
GALILEO	E1/E5a/E5b/E6
BDS	B1/B2/B3
QZSS	L1/L2/L5/L6
IRNSS	L5
SBAS	L1/L5
L-Band	

Nominal Impedance 50Ω

Polarization RHCP

Axial Ratio ≤3dB

Azimuth Coverage 360°(omni-directional)

Output VSWR ≤2.0

Peak Gain 5.5dBi

LOW NOISE AMPLIFIER

LNA Gain 40±2dB

Noise Figure ≤2dB

Output VSWR ≤2.0

Passband Ripple ±2dB

Operation Voltage +3.3 to +12VDC

Operation Current ≤45mA

Differential Propagation Delay ≤5ns

MECHANICAL

Dimensions φ111x24.5mm

Connector MCX-C-JW1.5

Weight ≤220g

For the most recent details of this product:

<https://en.harxon.com/products-detail.php?Prod=136>

ENVIRONMENTAL

Temperature

Operating -40°C to +85°C

Storage -55°C to +85°C

Humidity 95% No-condensing

en.harxon.com

sales@harxon.com

9/F, Block B, Building D3, TCL International

E City, NO.1001 Zhongshanyuan Road,

Nanshan District, Shenzhen, China

Tel: +86-755-26989948

Fax: +86-755-26989994

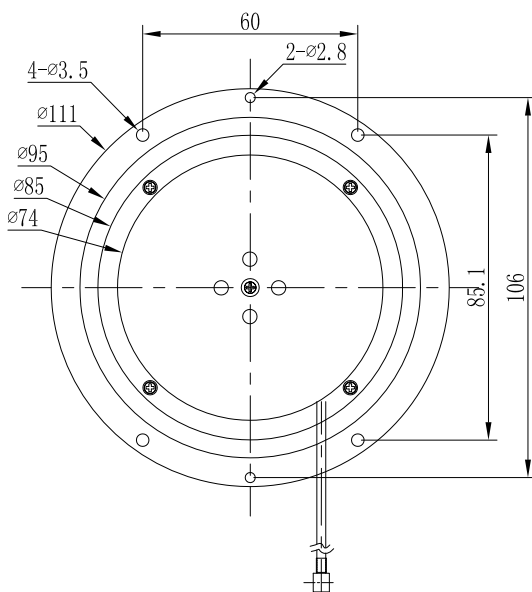
Version 2 Specifications subject to change without notice.

©2021 Harxon Corporation. All rights reserved.

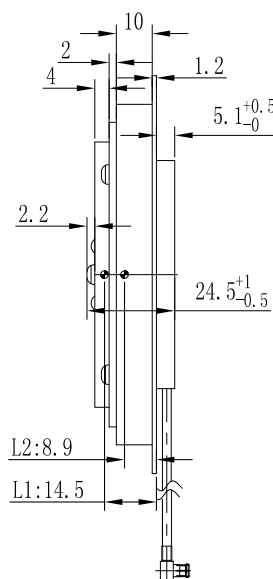
Printed in China

June 2021

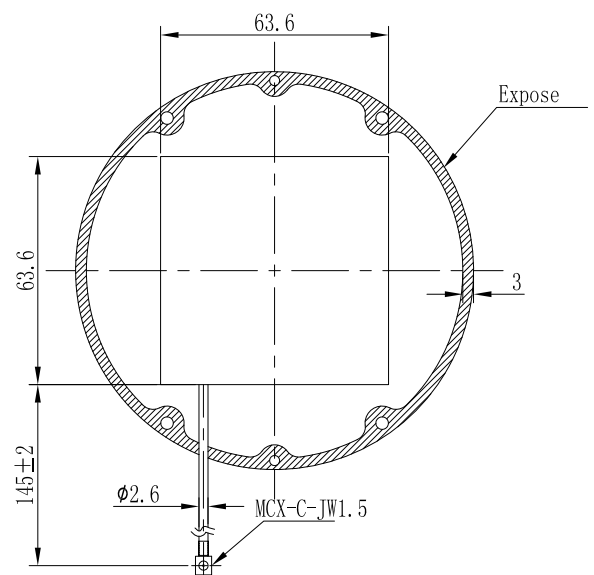
Structure & Phase Center Drawing (mm)



TOP VIEW



SIDE VIEW



BOTTOM VIEW

Undeclared Tolerance:±0.3mm